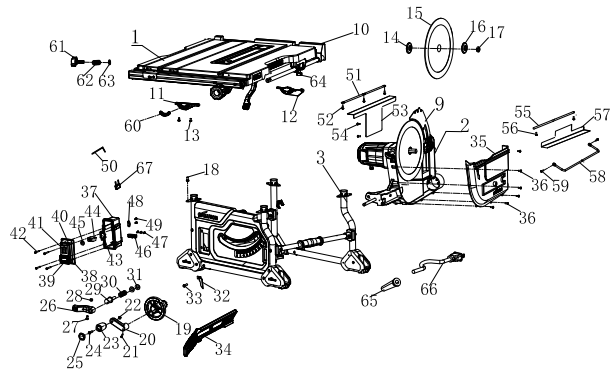
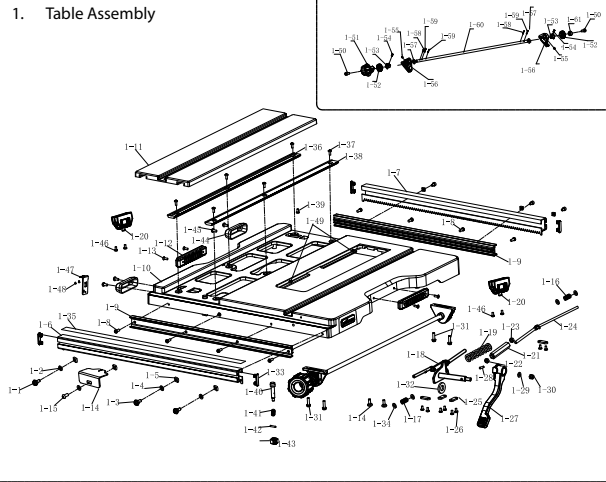


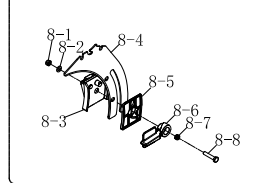
**Main Assembly**



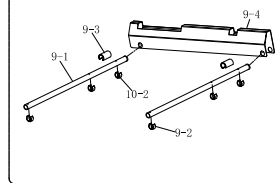
**1. Table Assembly**



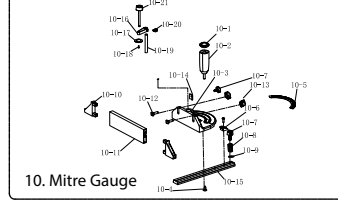
**8. Riving Knife**



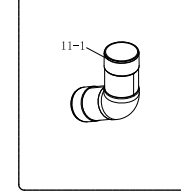
**9. Outfeed Support**



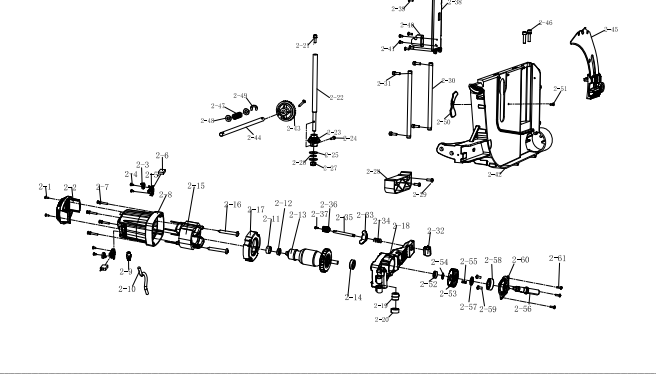
**10. Mitre Gauge**



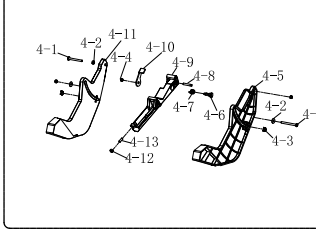
**11. Dust Port Elbow**



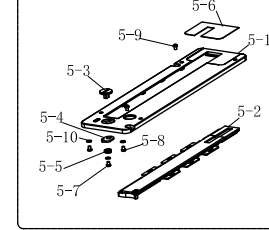
**2. Motor Chassis**



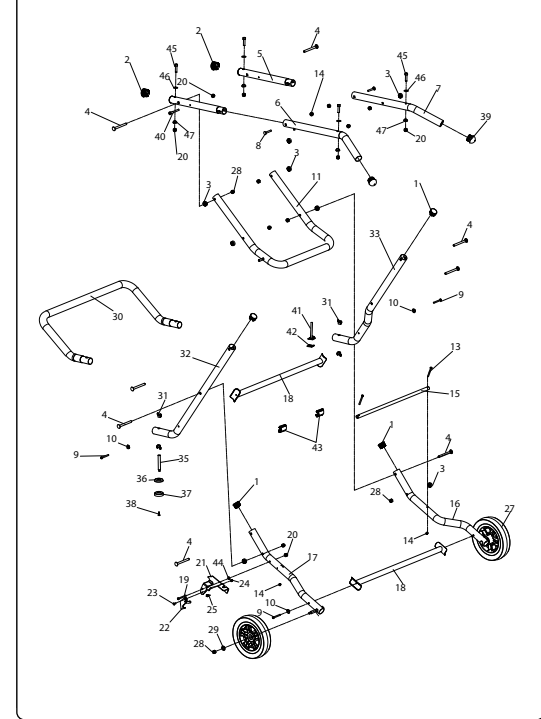
**4. Blade Guard**



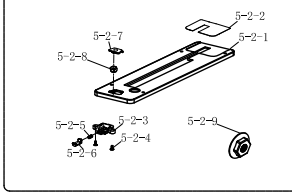
**5. 0 Clearance Plate**



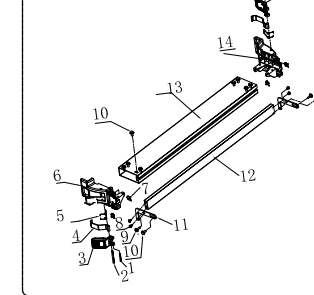
**12. Stand**



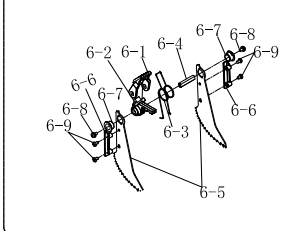
**5-2. Dado Plate**



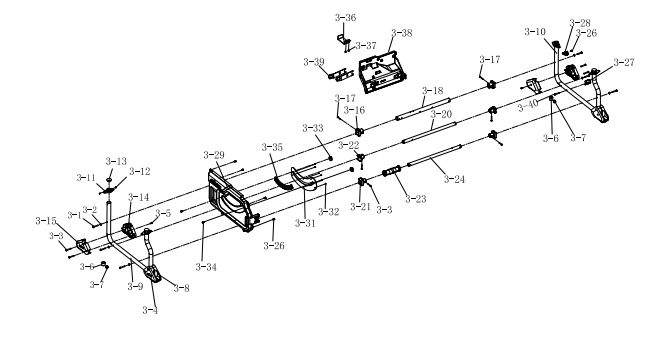
**7. Fence**



**6. Anti Kick Back Paws**



**3. Frame**



No.	Part Code	Description	Qty	No.	Part Code	Description	Qty	No.	Part Code	Description	Qty
<b>Main Assembly</b>				1-6	119-0122	Front Rail	1	2-7	F-SPHPZ-M5-35-ST-BO	Motor Housing Combination Screw	4
3	119-1003	Machine Frame Assy	1	1-7	119-0119	Rear Rail	1	2-8	119-0134	Motor housing	1
11	119-0112-1	Saw bracket Trunions-Front	1	1-8	F-SBHS-M10-25-ST-BO		2	2-9	119-0277	Cable Tensioner 6P3-4	1
12	119-0112-2	Saw bracket Trunions-Rear	1	1-9	119-0242	Rail Guide Front & Rail	8		119-0277-1	Cable Tensioner 5P3-4	1
13	F-SHCS-M6-12-ST-BO	F-SHCS-M6-12-ST-BO	4	1-10	119-0117	Table	1	2-10	119-0319	Motor Cable H05VV4x1mm2x0.6m	1
14	119-0144	Inner flange-EU & US	1	1-11	119-0100	Sliding Push Table	1		119-0319-1	Motor Cable H05VV2x1mm2x0.6m	1
16	119-0146	Outer flange	1	1-12	119-0266	Carry Handle Plastic	2	2-11	119-0137	Bearing Sleeve	1
17	F-SHCS-M8-18-ST-BO	Arbor bolt	1	1-13	F-SCHPZ-M4-10-ST-BO	F-SCHPZ-M4-10-ST-BO	4	2-12	F-B-608	Bearing 608	1
18	F-SHCS-M5-16-ST-BO	Socket Head Cap Screw	8	1-14	119-0249	R&P SCALE INDICATOR	1		119-0138-1	Rotor 110V & 120V 1600W	1
19	119-0186	Hand Wheel	1	1-15	F-SBHS-M6-10-ST-BO	F-SBHS-M6-10-ST-BO	1	2-14	F-B-601	Bearing 601	1
20	119-0185	Knob Handle Support	1	1-16	119-0267	Guide Rail Lock Spring-1	1		119-0135-2	Stator 120V 1650W W Ebreak	1
21	F-SPHPZ-M5-16-ST-BO	Panhead Screw M5x16	1	1-17	119-0268	Guide Rail Lock Spring-2	1	2-16	F-TFPX-M5-36-ST-BO	F-TFPX-M4.8-55-ST-BO	2
22	F-NNIT-M6-ST-BO	Anti-loose nut M6	1	1-18	119-0269	R&P Fence Lock Bar Front	1	2-17	119-0136	Stator protector	1
23	119-0184	Knob-Handle Wheel	1	1-19	119-0270	R&P Fence Compressing Spring	1	2-18	119-0139	Gear Case casting	1
24	119-251	Know lock screw M6	1	1-20	119-0271	Outfeed Support Base	2	2-19	119-0278	Dual thread Nut	1
25	119-0184-1	Knob Cap-Handle Wheel	1	1-21	119-0272	Hex Stud R&P Fence Lock	1	2-20	119-0279	Dual thread Nut seat	1
26	119-0189	Bevel locking Knob	1	1-22	F-NSH-M6-ST-BO	F-NSH-M6-ST-BO	1	2-21	F-SHCS-M5-14-ST-BO	Combination Screw + washer	1
27	F-SPHPZ-M5-16-ST-BO	Panhead combination screw	1	1-23	F-NFS-M6-ST-BO	F-NFS-M6-ST-BO	1		119-0161	Elevation drive shaft	1
28	F-NSF-M5--ST-BO	Anti-loose nut M5	1	1-24	119-0118	R&P Fence Lock Bar Rear	1	2-23	119-0159	Bevel Gear B	2
29	119-0188	Bevel locking screw	1	1-25	119-0115	Lock Bar Mounting Plate	4	2-24	F-TFPX-M4.2-22-ST-BO	F-TFPX-M4.2-22-ST-BO	2
30	119-0187	Spring	1	1-26	F-SPHPZ-M4-12-BO	F-SPHPZ-M4-12-BO	8	2-25	F-W-M8-ST-BZP	Flat Washer	2
31	F-W-M12-ST-BO	F-W-M12-ST-BO	2	1-27	119-0114	Extention Table Locking handle	1	2-26	119-0280	Rubber Gasket	1
32	119-0183	Bevel Pointer	1	1-28	F-SDL-4-18-ST-BO	F-SDL-4-18-ST-BO	1	2-27	F-NNIT-M8-ST-BZP	F-NNIT-M8-ST-BZP	1
33	F-SPHPZ-M5-10-ST-BO	F-W-M5-ST-BO	1	1-29	F-W-M6.5-ST-BO	F-W-M6.5-ST-BO	1	2-28	119-0281	Stopper Elevation block	1
34	119-0178	Push stick	1	1-30	F-NNIT-M6-ST-BO	F-NNIT-M6-ST-BO	1	2-29	F-SPHPZ-M5-10-ST-BO	F-SPHPZ-M5-10-ST-BO	2
35	119-0155	Saw blade cover	1	1-31	F-SBHS-M10-25-ST-BO	Combination Screw	4	2-30	119-0147	Elevation Guide Shaft	2
36	F-SFHPZ-M4-12-ST-BZP	F-SFHPZ-M4-12-ST-BZP	6	1-32	F-W-M10-ST-BZP	F-W-M10-ST-BZP	2	2-31	F-SHCS-M5-20-ST-BO	Screw + spring washer	4
37	119-0166	Switch rear cover	1	1-33	119-0272	Rail Cap F&R	4	2-32	119-0282	Angle adjust block	1
38	119-0163	Switch front cover	1	1-34	119-0273		2	2-33	119-0283	Wing knob	1
39	119-0162	Emergency Stop paddle	1	1-35	119-0123	UK, EU, AUS R&P Fence Scale	1	2-34	119-0284	Tension Adjust Spring	1
40	119-0252	Dowel Stopper Paddle	1	1-36	119-0102	Sliding push table rails A	1	2-35	119-0285	Tension Adjust Rod	1
41	119-0165-1	Switch UK & EU 230V	1	1-37	F-SPHPZ-M5-12-ST-BO	F-SPHPZ-M5-12-ST-BO	6	2-36	119-0286	Tension Adjust knob	1
42	F-SPHPZ-M4-32-ST-BO	F-SPHPZ-M4-32-ST-BO	4	1-38	119-0102-1	Sliding push table rails B	1	2-37	F-SPHPZ-M4x12-ST-BO	Combination Screw	1
43	119-0253	Soft start PCBA 110-240V	1	1-39	F-SHCS-M6-14-ST-BO	F-SHCS-M6-14-ST-BO	1	2-38	119-0150	Riving Knife Casing	1
44	119-0254	Overload Protector 230V	1	1-40	119-0109	Sliding table lock pin	1	2-39	F-SPHPZ-M4-12-ST-BO	F-SPHPZ-M4-12-ST-BO	4
45	119-0256	Cap Overload Protector	1	1-41	119-0110	Lock pin spring	1	2-40	119-0287	Feather Board Holder-120V	1
46	119-0257	Cable clamp seat	1	1-42	F-SP-2.5-20-ST-BO	F-SP-2.5-20-ST-BO	1	2-41	F-TFPX-M4.2-10-ST-BO	F-TFPX-M4.2-10-ST-BO	2
47	F-TFPX-4-16-ST-BO	Panhead Tapping Screw ST4.2x16	3	1-43	119-0111	Sliding table lock pin knob	1	2-42	119-0156	Blade Guard	1
48	119-0258	Cable clamp	1	1-44	119-0106	Table top bumper feet	2	2-43	119-0158	Bevel gear A	1
49	F-TFPX-4-13-ST-BO	Panhead Tapping Screw ST4.2x13	2	1-45	F-SPHPZ-M5-20-BO	F-SPHPZ-M5-20-BO	4	2-44	119-0157	Height adjustment haft	1
50	119-0177	Hex Key S3-S5	1	1-46	F-SPHPZ-M5-16-BO	Combination Screw	4	2-45	119-1009		1
51	119-0261	Fabric mounting rod-1	1	1-47	119-0103	Riving Knife holder	1	2-46	F-SHCS-M6-20-ST-BO	F-SHCS-M6-20-ST-BO	2
52	F-SPHPZ-M5-8-ST-BO	Panhead Screw M5x8	3	1-48	F-SPHPZ-M4-8-ST-BO	F-SPHPZ-M4-8-ST-BO	2	2-47	119-0288	Height adjustment Spring	1
53	119-0260	Fabric R	1	1-49	F-SHCS-M5-14-ST-BO	F-SHCS-M5-14-ST-BO	4	2-48	F-W-M10-ST-BZP	F-W-M10-ST-BZP	2
54	F-SHCS-M10-25-ST-BO	Socket Head combination screw M5x14	4	1-50	F-SHCS-M8-ST-BO	F-SHCS-M8-ST-BO	2	2-49	F-ECLIP-8-070-ST-PO	F-ECLIP-8-070-ST-PO	1
55	119-0261	Fabric mounting rod-2	1	1-51	119-0248	R&P Knob	1	2-50	119-0289	Anti probe Plate	1
56	F-TFPX-4-10-ST-BO	Panhead tapping screw ST4x10	2	1-52	119-0244	Spur Gear	2	2-51	F-TFPX-M4.2-16-ST-BO	F-TFPX-M4.2-16-ST-BO	1
57	119-0262	Fabric L	1	1-53	119-0245	Spur Gear Housing	2	2-52	F-B-608-2Z	F-B-608-2Z	1
58	119-0263	Frame Fabric L	1	1-54	119-0274	Spring Drive rod	2	2-53	119-0140	Reduction Gear	1
59	F-TFPX-4-10-ST-BO	Panhead tapping screw ST4x10	2	1-55	F-SSCFP-M5-10-A4	Drive Plate Lock Screw	2	2-54	F-CCEXT-14-080-ST-PO	F-CCEXT-14-080-ST-PO	1
60	119-0113	Saw bracket Trunion Nylon Sleeve	2	1-56	119-0246	Bracket Drive Plate	2	2-55	Flat Key 4x4x12	Flat Key	1
61	119-0104	Riving knife Holder Knob?	1	1-57	F-W-M10-ST-BZP	F-W-M10-ST-BZP	2	2-56	119-0142	UK/EU Output Shaft	1
62	119-0263	Spring	1	1-58	F-SDL-25-20-ST-PO	F-SDL-25-20-ST-PO	2	2-57	119-0290	Gear Spacer	1
63	F-W-M8-ST-BO	Washer Ø6.5XØ12XØ1	1	1-59	F-SDL-30-18-ST-PO	F-SDL-30-18-ST-PO	2	2-58	F-B-6002-2RSR	F-B-6002-2RSR	1
64	119-0127	Outfeed Support lock screw	2	1-60	119-0247	Drive rod	1	2-59	F-SPHPZ-M5-10-ST-BO	F-SPHPZ-M5-10-ST-BO	2
65	119-00264	Cable Relief	1	1-61	119-0275	Sleeve Drive Rod	1	<b>2-60</b>	<b>119-0141</b>	<b>Gearbox Cover</b>	<b>1</b>
66	119-0167-08	US 120V Power Cord	1	<b>2 Motor Chassis</b>				2-61	F-SPHPZ-M4-16-ST-BO	Combination Screw	3
<b>1 119-1001 Table Assembly</b>				2-1	F-TFPX-4.2-13-ST-BO	F-TFPX-M4.2-13-ST-BO	2	<b>Service Parts List</b>  <b>R10TS / R10TBLX Table Saw - V1</b>  <b>120V USA</b>			
1-1	F-SHCS-M6-10-ST-BO	F-SHCS-M6-10-ST-BO	4	2-2	119-0130	Motor end cap	1				
1-2	F-W-M6-ST	Flat Washer Ø6.5XØ12XØ2 Electrophresis	10	2-3	119-0276	Spring Carbon Brush	2				
1-3	F-SHCS-M6-10-ST-BZP	F-SHCS-M6-10-ST-BZP	2	2-4	F-TFPX-M4-10-ST-BO	F-TFPX-M4-10-ST-BO	4				
1-4	F-W-M6-ST-BZP	BZP	2	2-5	119-0132	Carbon brush holder	2				
1-5	F-NS-M6-ST-BO	Square nut M6	7	2-6	119-0131	Carbon brush High Volt	2				

No.	Part Code	Description	Qty
<b>3</b>	<b>Frame</b>		
3-1	F-TFPX-M5.5-38-ST-BO	F-TFPX-M5.5-38-ST-BO	4
3-2	119-0291	Bent washer	4
3-3	F-TFPX-M5.5-32-ST-BO	F-TFPX-M5.5-32-ST-BO	12
3-4	119-0169	Frame Foot Right-Front	2
3-5	F-SFHPZ-M4.8-16-ST-BO	F-SFHPZ-M4.8-16-ST-BO	4
3-6	119-0292	Joint Ring	4
3-7	119-0293	Rubber Gasket	4
3-8	119-0169-1	Frame Foot Right-Rear	2
3-9	119-0174	Machine Frame-Front	1
3-10	119-0174-1	Machine Frame-Rear	1
3-11	119-0294	Table Top Mounting Plate	4
3-12	F-TFPX-4-12-ST-BO	F-TFPX-4-12-ST-BO	8
3-13	119-0295	Table Top Rubber Feet	4
3-14	119-0169-2	Frame Foot L-R	2
3-15	119-0169-3	Frame Foot L-F	2
3-16	119-0296	Frame Joint	2
3-17	F-SCHPZ-M4.8-38-ST-BO	F-SCHPZ-M4.8-38-ST-BO	2
3-18	119-0297	Horizontal Fram A	1
3-20	119-0298	Horizontal Fram B	1
3-21	119-0299	Frame Joint Seat A	2
3-22	119-0300	Frame Joint Seat A	2
3-23	119-0301	Carry Handle	1
3-24	119-0302	Horizontal Fram C	1
3-26	F-TFPX-5-16-ST-BO	F-TFPX-5-16-ST-BO	5
3-27	119-0303	Miter Gauge Seat-R	1
3-28	119-0304	Miter Gauge Seat-F	1
3-29	119-0164	Front Panel	1
3-31	119-0168	Support Plate Front	1
3-32	F-SCHPZ-M4.2-8-ST-BO	F-SCHPZ-M4.2-8-ST-BO	6
3-33	119-0179	Bevel Cam, adjustment	2
3-34	F-SHCS-M6-14-ST-BO	F-SHCS-M6-14-ST-BO	2
3-35	119-0180	Bevel Gear Rack	1
3-36	119-0171	Blade guard Bracket	1
3-37	F-TFPX-M5-16-ST-BO	F-TFPX-M5-16-ST-BO	7
3-38	119-0175	Side Panel - Right	1
3-39	119-0172	Spanner	2
3-40	F-TFPX-M4.8-45-ST-BO	F-TFPX-M4.8-45-ST-BO	1
<b>4</b>	<b>Blade Guard</b>		
4-1	119-0211	F-SPHPZ-M5-52-ST-BO USA	1
4-2	F-W-M5-ST-BZP	F-W-M5-ST-BZP USA	1
4-3	119-0307	Tension Spring USA	6
4-4	F-NNIT-M5-ST-BZP	F-NNIT-M5-ST-BZP USA	1
4-5	119-0214	Blade guard right side USA	1
4-6	119-0308	Lock pin USA	1
4-7	119-0309	Lock pin spring USA	1
4-8	F-SDH-50-30-ST-PO	F-SDH-50-30-ST-PO USA	1
4-9	119-0212	Blade guard support bar USA	1
4-10	119-0310	Release Handle USA	1
4-11	119-0210	Blade guard left side USA	1
4-12	-	Ball Bearing USA	1
4-13	F-TFPX-M5.2-16-ST-BO	F-TFPX-M5.2-16-ST-BO USA	1
<b>5</b>	<b>0-Clearance Plate</b>		
5-1	119-0051	0-gap cutting board	1
5-2		panel	2
5-3		Unlock button	1
5-4		Locking plate	1
5-5		compression spring	1
5-6		wear plate	1
5-7		Cross recessed pan head tapping screws	1
5-8		Cross groove flat head screw	2
5-9		Cross recessed pan head screws	2
5-10		Flat cushion	3

No.	Part Code	Description	Qty
<b>5-2</b>	<b>Dado Plate</b>		
5-2-1	119-0053	Dado cutting board	1
5-2-2		Wear plate	1
5-2-3		Fixed box	1
5-2-4		Cross recessed countersunk head tapping screws	2
5-2-5		Compression spring	1
5-2-6		Locking block	1
5-2-7		Cutting board button	1
5-2-8		Rotation lock	1
5-2-9		External pressure plate	1
<b>6</b>		<b>Anti-kickback Paws</b>	
6-1	119-1009	Release Button	1
6-2		Paw Bracket	1
6-3		Tension Spring	1
6-4		Spring Dowel	1
6-5		Anti-kick back plate	2
6-6		Wear Plate	2
6-7		Fixing Plate	2
6-8		Combination Screw	2
6-9		F-TFPX-M4.2-9	4
<b>7</b>	<b>Fence</b>		
7-1	119-1007	F-SDL-300-28-ST-PO	2
7-2		F-SDL-400-45-ST-PO	2
7-3		R&P Fence Lock Paddle	2
7-4		Metal Hook	2
7-5		Metal Hook Torsion spring	2
7-6		R&P Fence Bracket-F	1
7-7		Rip Fence Elastic Wire	4
7-8		F-TFPX-M4-12-ST-BO	4
7-9		Customized Coach Bolt	2
7-10		F-HFS-M5-12-ST-BZP	10
7-11		Rip Fence Hinge	2
7-12		Rip Fence	1
7-13		R&P Fence Body	1
7-14		R&P Fence Bracket-R	1
<b>8</b>	<b>Riving Knife</b>		
8-1	F-NNIT-M6-ST-BO	F-NNIT-M6-ST-BO	1
8-2	F-W-M17-ST-BO	F-W-M17-ST-BO	2
8-3	119-0152	Riving Knife Bracket	1
8-4	119-0151-1	Riving Knife USA	1
8-5	119-0154	Riving knife clamp plate	1
8-6	119-0148	Riving Knife Lock Off Handle	1
8-7	119-0149	Clamp Plate Spring	1
8-8	F-HSS-M6-25-ST-BO	F-HSS-M6-25-ST-BO	1
<b>9</b>	<b>Outfeed Support</b>		
9-1	119-0126	Outfeed Extension Rod	2
9-2	119-0125	Outfeed Extension Rod Seat A	6
9-3	119-0128	Outfeed Extension Rod Support	2
9-4	119-0129	Outfeed Extension Table	1
<b>10</b>	<b>Mitre Gauge</b>		
10-1	119-0312	End cap	1
10-2	119-0195	lock knob	1
10-3	119-0193	Miter Gauge Plate	1
10-4	F-SCHS-M5-10-ST-BO	Countersink head Screw	1
10-5	119-0194	Label	1
10-6	119-0190	Indicator	1
10-7	119-0191	Lock screw	2
10-8	119-0313	Spring	1
10-9	F-W-M17-ST-BZP	Washer Ø17	3
10-10	119-0203	Fence Cap	2
10-11	119-0202	Fence	1
10-12	119-0204	Coach Bolt	2

No.	Part Code	Description	Qty
10-13	119-0196	Wing Screw	2
10-14	119-0314		1
10-15	119-0205	Sliding Bar	1
10-16	119-0320	Hold Down Clamp Assy	1
10-16-1	119-0199	Hold Down Clamp sub-component	1
10-16-2	119-0201	Hold Down Clamp sub-component	1
10-16-3		Hold Down Clamp sub-component	2
10-16-4	119-0197	Hold Down Clamp sub-component	1
10-16-5	119-0191	Hold Down Clamp sub-component	1
10-16-6	119-0200	Hold Down Clamp sub-component	1
<b>11</b>	<b>Dust Port Elbow</b>		
11.1	119-0318	Elbow Dust Port	1
<b>12</b>	<b>Stand</b>		
12-1	119-0236	Round tube end cap	6
12-2	119-0236-1	Round tube end cap	2
12-3	119-0234	Spacer ring	8
12-4	F-CB-M8-53-ST-BO	Square screw	8
12-5	119-0237	Handle Connecting - rear	2
12-6	119-0237-1	Handle Connecting - front-R	1
12-7	119-0237-2	Handle Connecting - front-L	1
12-8	F-CB-M8-40-ST-BO	Square screw	2
12-9	F-SPHPZ-M6-50-ST-BO	Panhead screw	4
12-10	F-WW-M6-ST-BO	formed washer	4
12-11	119-0235	U Shaped Rod	1
12-13	F-SPHPZ-M5-50-ST-BO	Panhead screw	2
12-14	F-NNIF-M5-ST-BO	Anti-loose locknut	3
12-15	119-0241	Front Leg Connecting Tube	1
12-16	119-0321	Front Leg - R	1
12-17	119-0322	Front Leg - L	1
12-18	119-0240	Front Leg Connecting Rod	1
12-19	Screw M6 x 50	Hexgon Socket Polished Rod Screw	1
12-20	F-NNIF-M6-ST-BZP	Anti-loose locknut	6
12-21	119-0231	Foot Releasing Pedal	1
12-22	119-0327	Lock plate	1
12-23	F-SCHPZ-M5-10-ST-BO	Sinkhead screw	1
12-24	F-NNIF-M5-ST-BO	Anti-loose lock screw	1
12-25	119-0230	Lock Hook Seat Tension Spring	1
12-27	119-0228	Tire	2
12-28	F-NNIF-M8-ST-BZP	Anti-loose Nut	12
12-29	F-W-M10-ST-BO	Big Flat Washer	2
12-30	119-0233	Rear Foot Tube	1
12-31	057-0297	wing nut	4
12-32	119-0239	Rear Foot Tube -L	1
12-33	119-0328	Rear Foot Tube -R	1
12-35	119-0232	Thread Rod Adjust Leg	1
12-36	057-0300	Support foot pad cover	1
12-37	119-0323	rubber stopper	1
12-38	Combination Screw M4*14	Cross groove pan head screw (three combinations)	1
12-39	119-0238	Upper tripod end cover	2
12-40	Special Screw M6*55	special screws	1
12-41	119-0324	Rear support foot group	1
12-42	119-0325	non-slip mat	1
12-43	119-0326	Stop block	2
12-44	F-W-M6-ST-BO	Flat gasket	1
12-45	F-SHCS-M6-75-ST-BO	Indrical head hexagon socket screw	4
12-46	F-W-M6-ST-BO	Flat gasket	4
12-47	F-WW-M6-ST-BO	Bending gasket	4

<b>Service Parts List</b>	<b>120V USA</b>
R10TS / R10TBLX Table Saw - V1	